

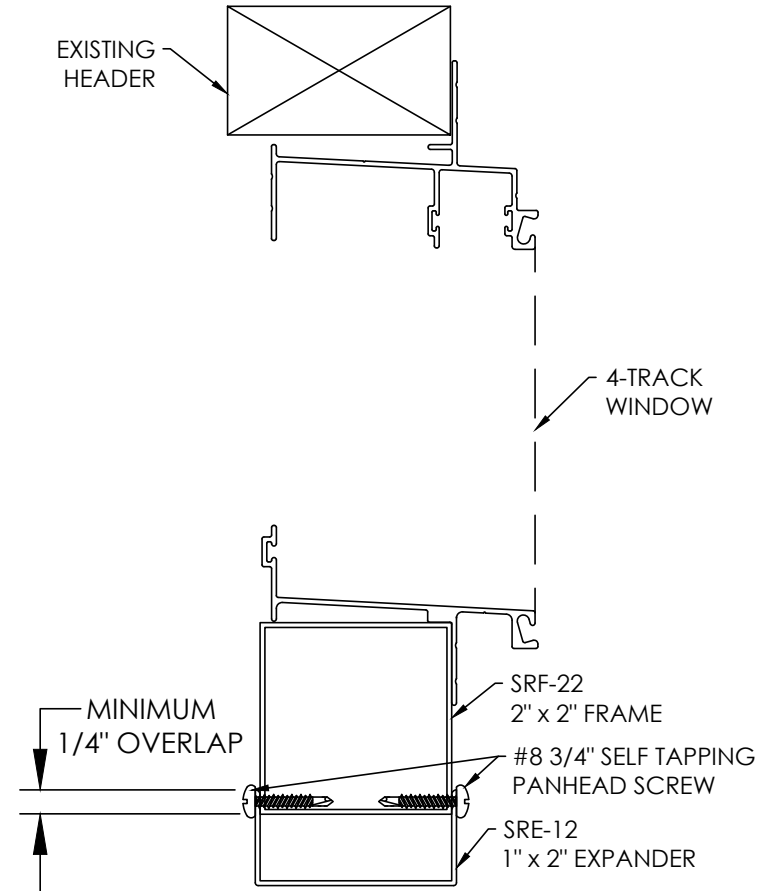
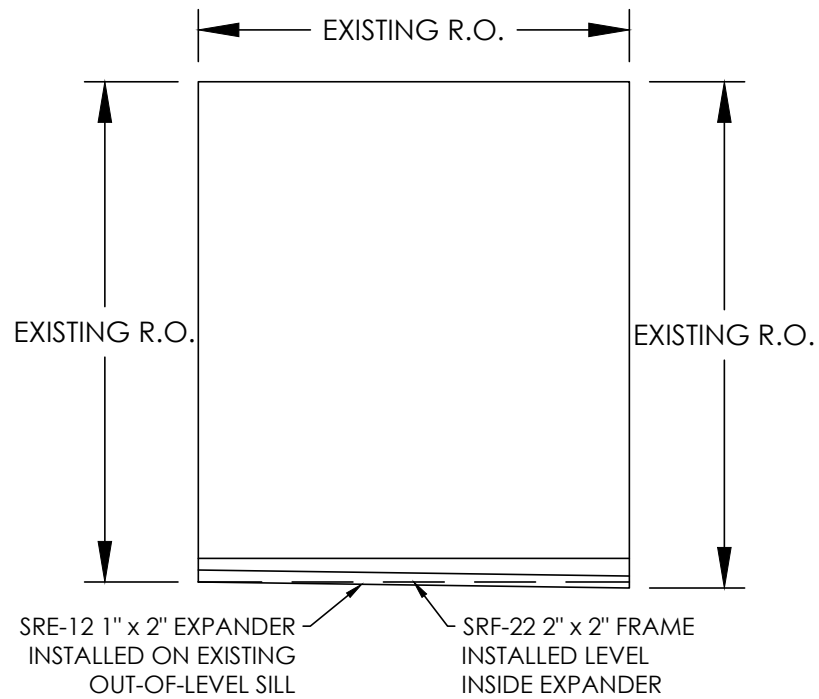


PORCH CONVERSIONS

by **LIVINGSPACE SUNROOMS®**

ARCHITECTURAL PACK

SILL LEVELING w/ PRC

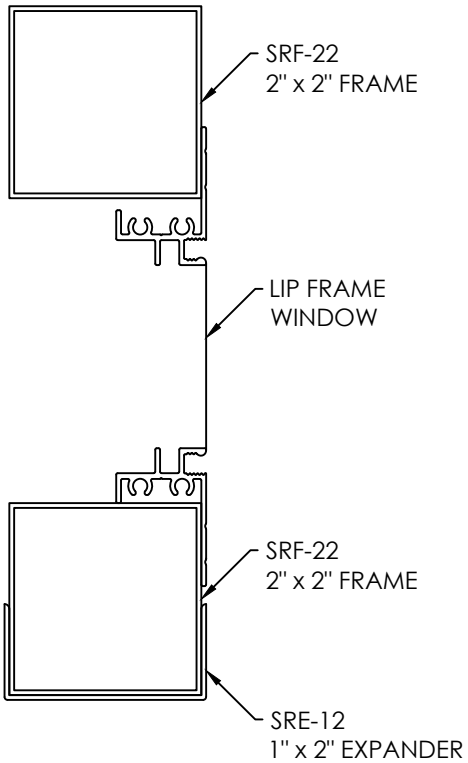


NOTE: THIS METHOD / MATERIAL COMBINATION CAN BE USED TO LEVEL HEADERS OR TO PLUMB POSTS AS NEEDED IN ANY VERTICAL OR HORIZONTAL ORIENTATION

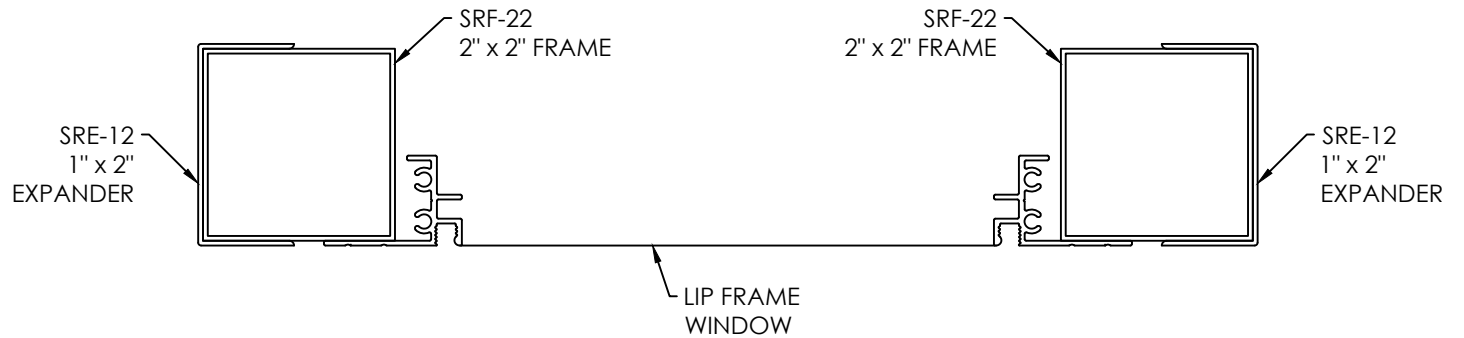


PRC w/ LIP FRAME

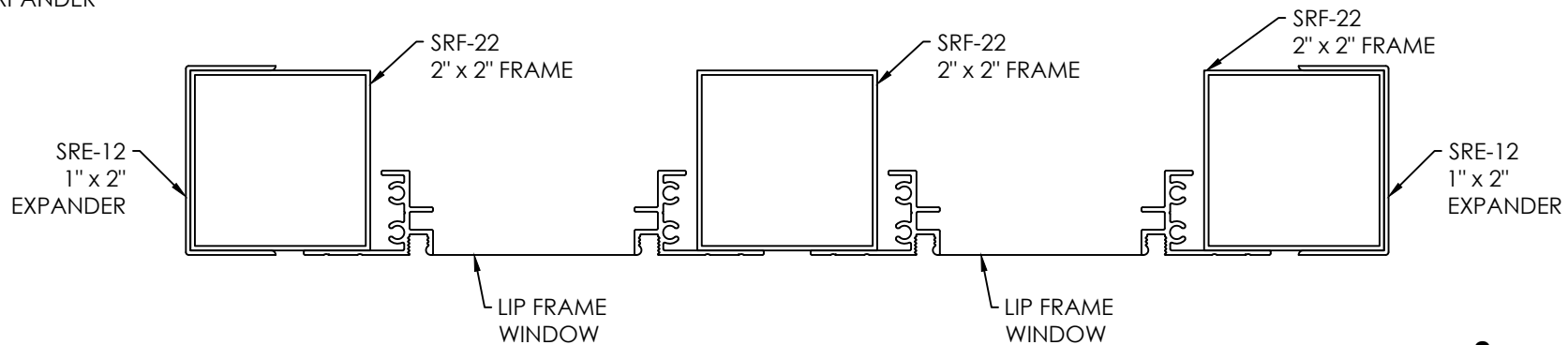
Vertical



Horizontal 1 window

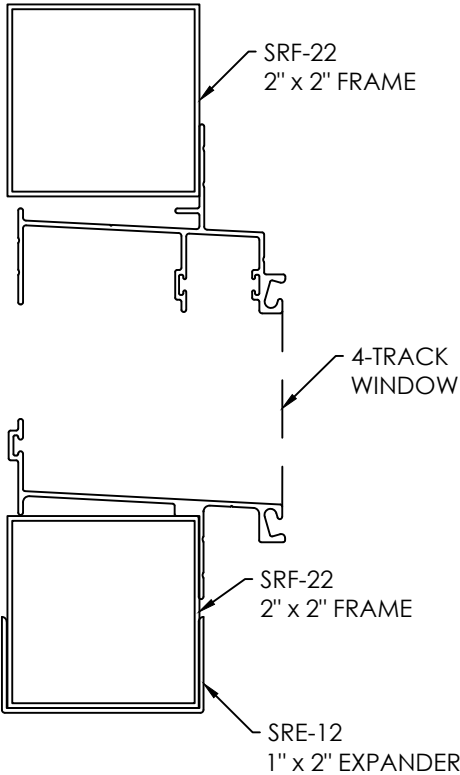


2 or more windows (Twin/Triple Pack)

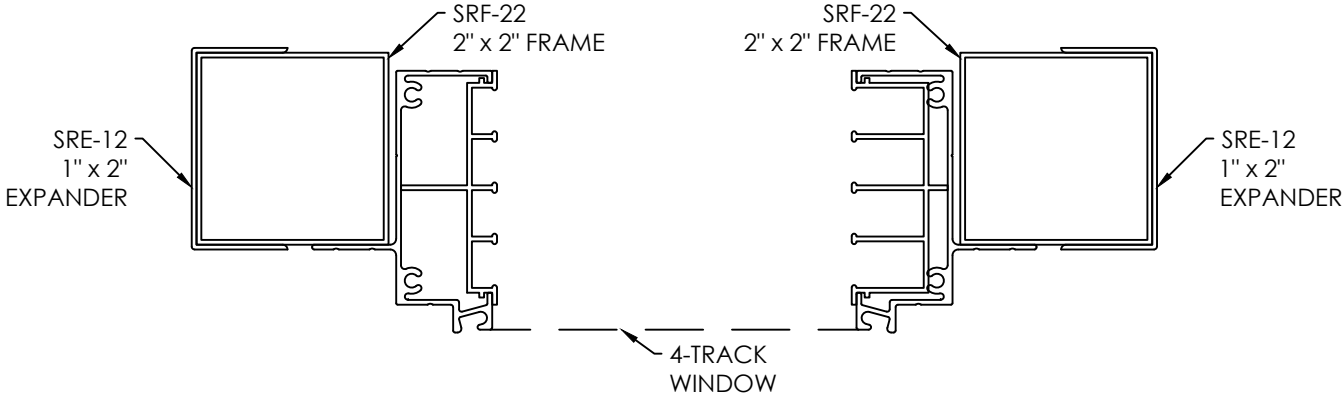


PRC w/ 4-TRACK FRAME

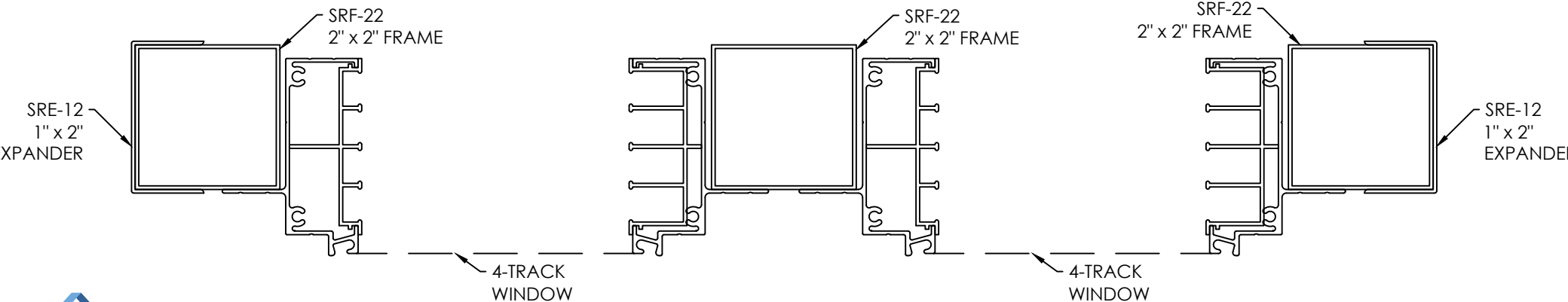
Vertical



Horizontal 1 window

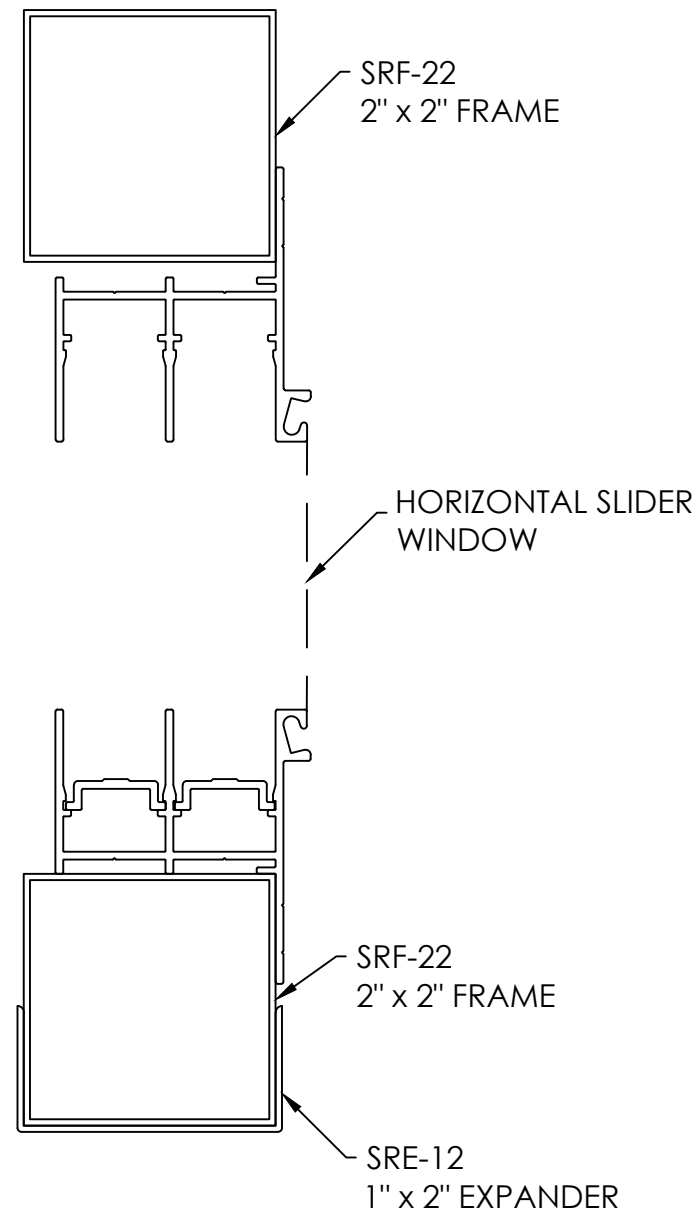


2 or more windows (Twin/Triple Pack)

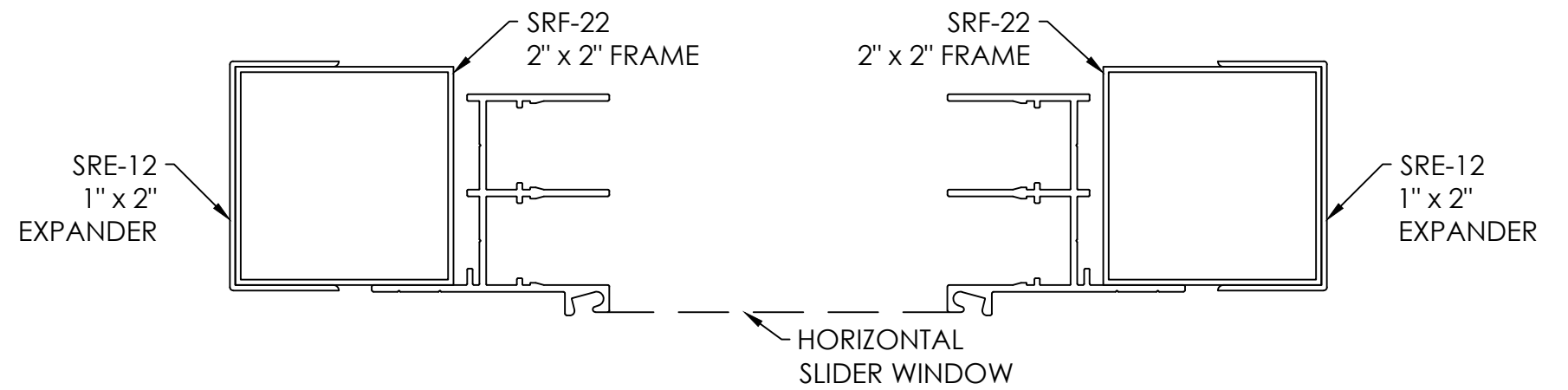


PRC w/ HORIZONTAL SLIDER FRAME

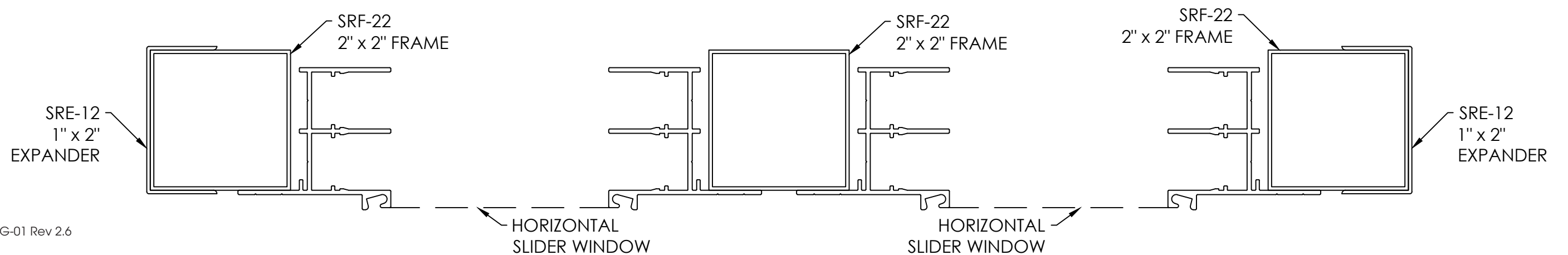
Vertical



Horizontal 1 window



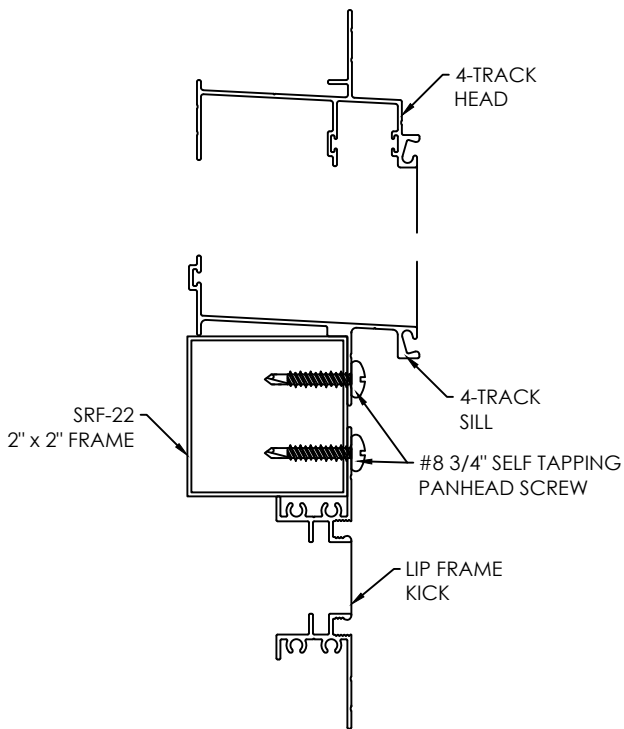
2 or more windows (Twin / Triple Pack)



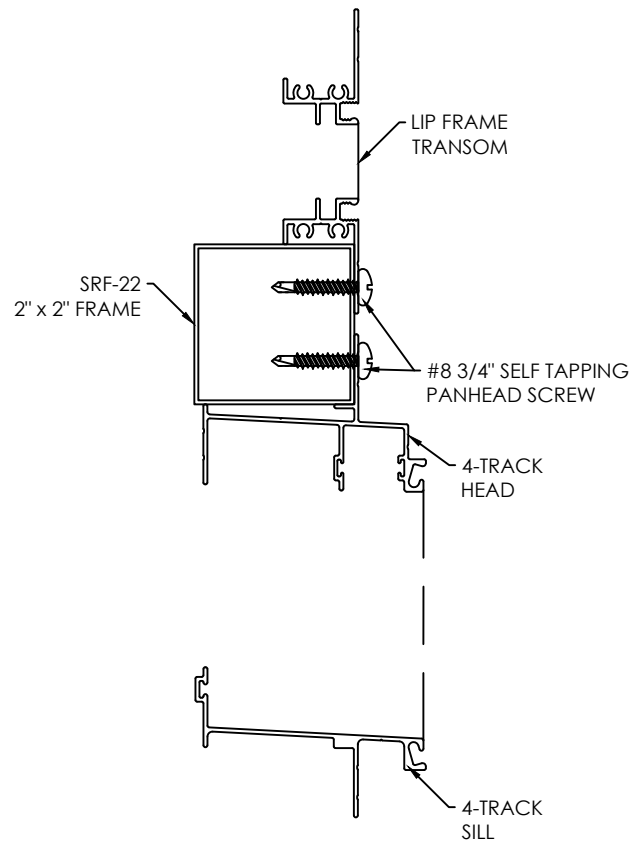
MULLED UNIT ASSEMBLIES

Vertical sections

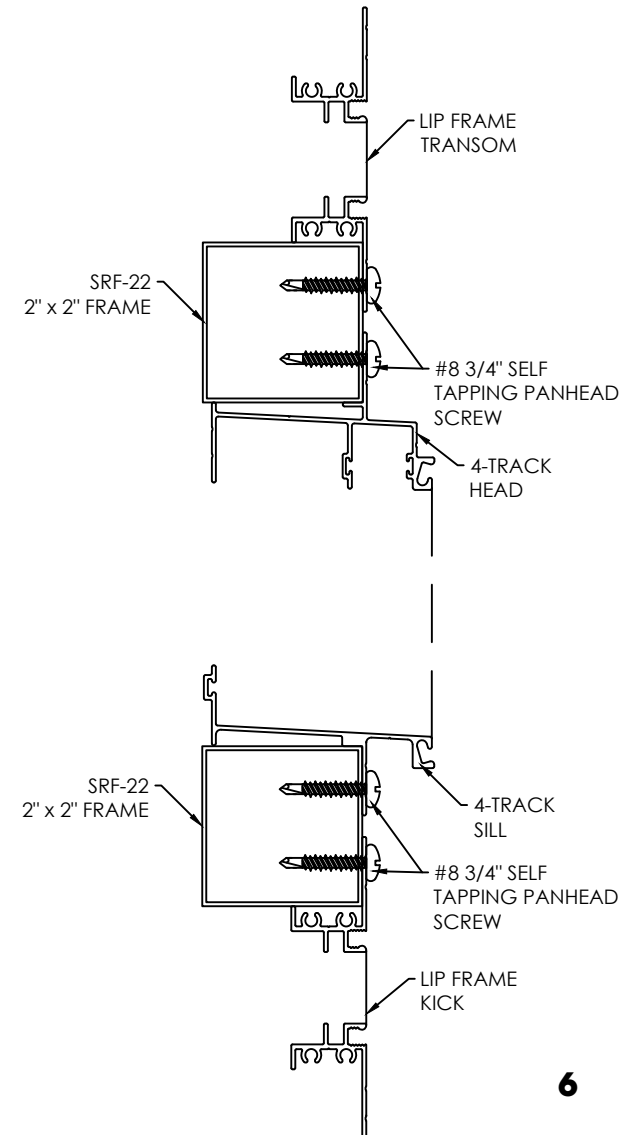
Operable window
w/ mulled kick



Operable window
w/ mulled transom



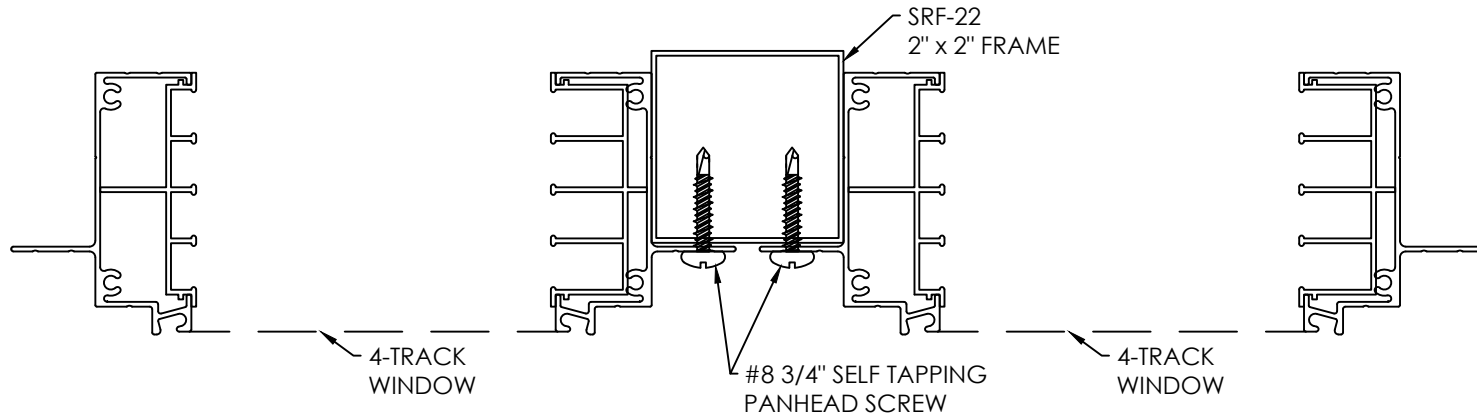
Operable window w/ mulled kick
and mulled transom



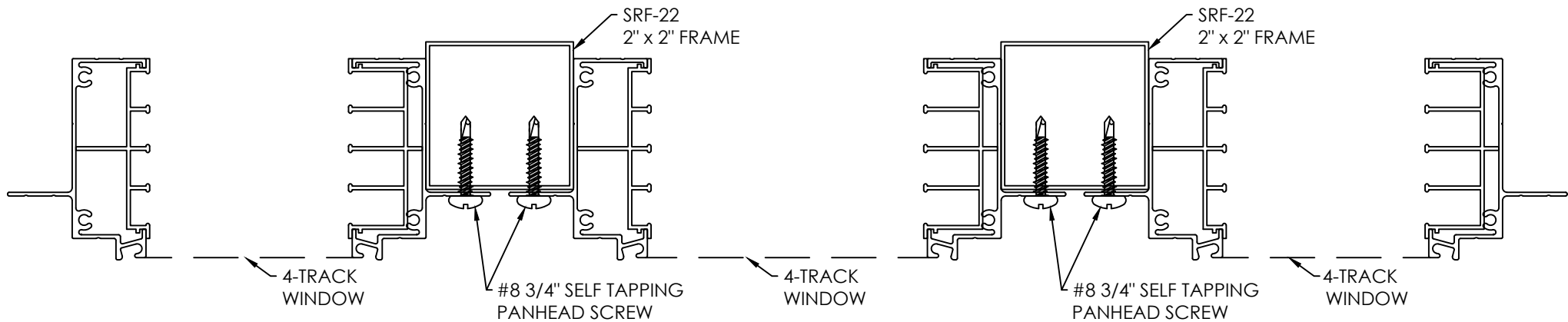
MULLED UNIT ASSEMBLIES

Horizontal sections

Twin Pack

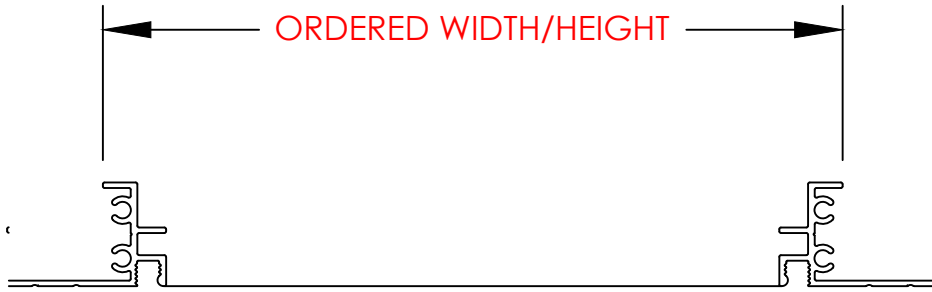


Triple Pack

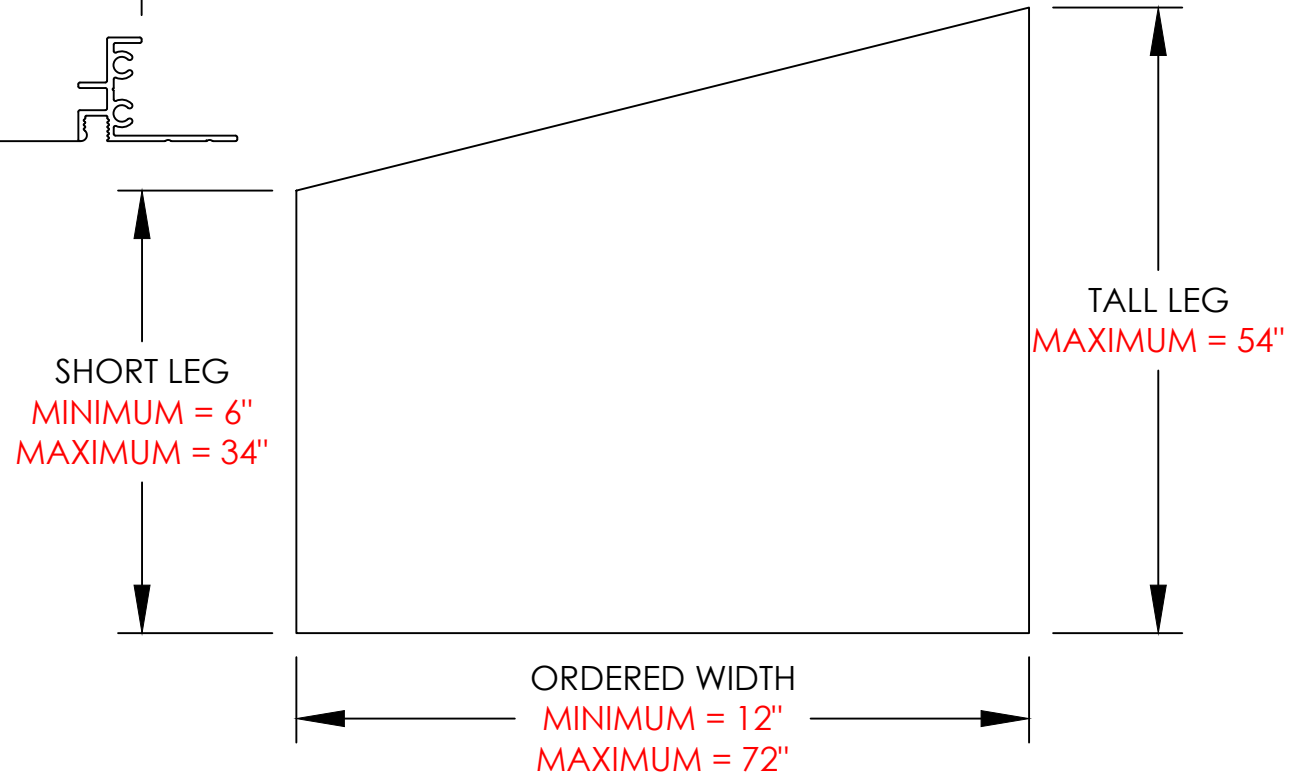


LIP FRAME DETAILS

Window section



Trap details



ORDERED FRAME SIZE

FLEXIGLAZE VINYL:

MINIMUM = 6" W x 6" H

MAXIMUM = 50" W x 96" H

NOTE: SOME ORDERED SIZES *

MAY REQUIRE SPREADER BARS

WITH FIBERGLASS SCREEN:

MINIMUM = 6" W x 6" H

MAXIMUM = 60" W x 96" H

NOTE: SOME ORDERED SIZES *

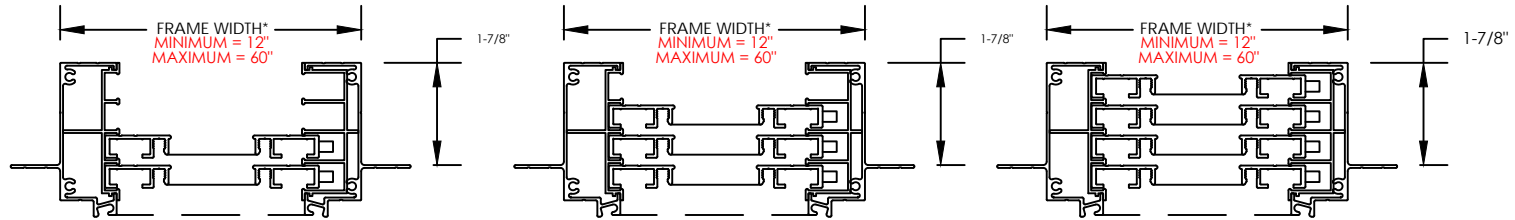
MAY REQUIRE SPREADER BARS

* A spreader bar will automatically be added for a Lip Frame window over 42" in width and a Lip Frame Trapezoid over 30" in width. Under either width is optional.

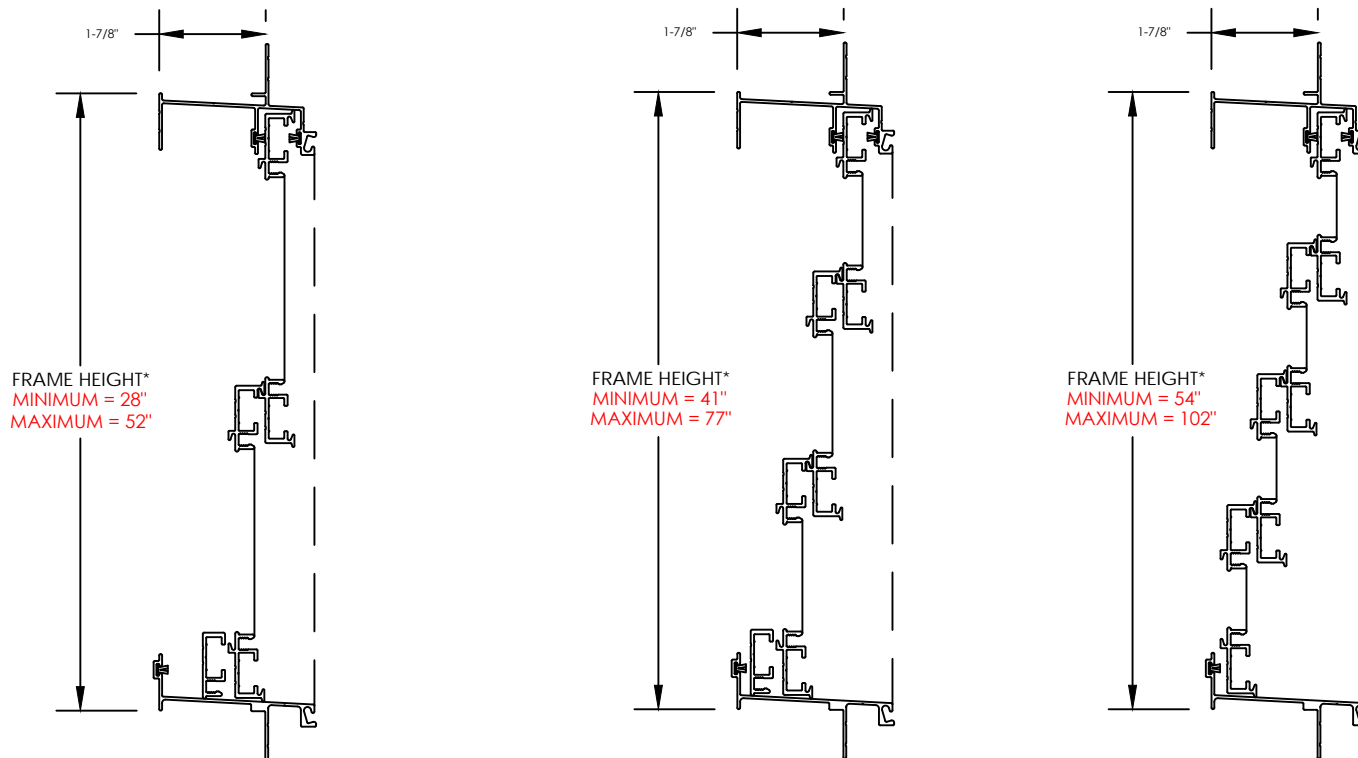


2/3/4-Track Window Sections

Horizontal sections

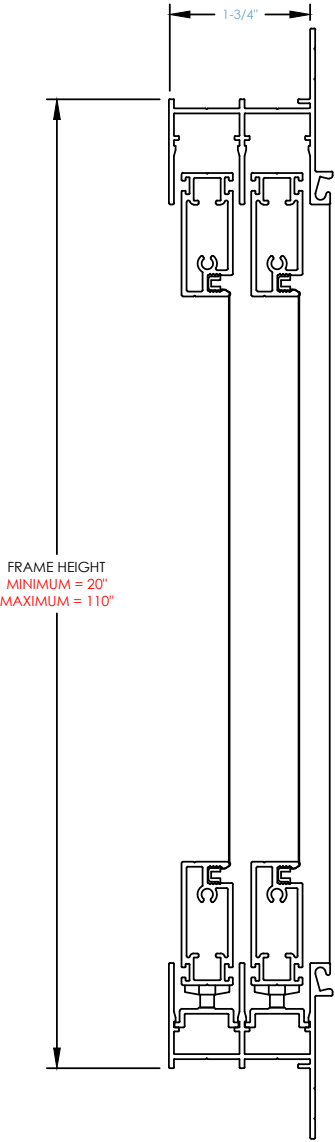


Vertical sections

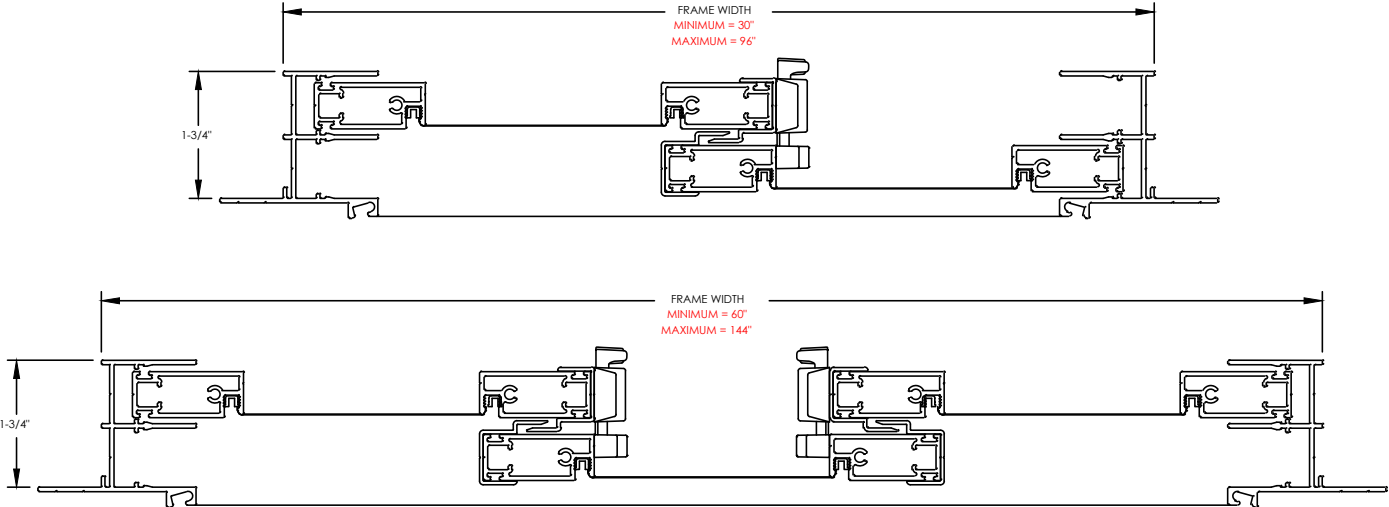


Horizontal Slider Window Sections

Vertical Section



Horizontal Sections



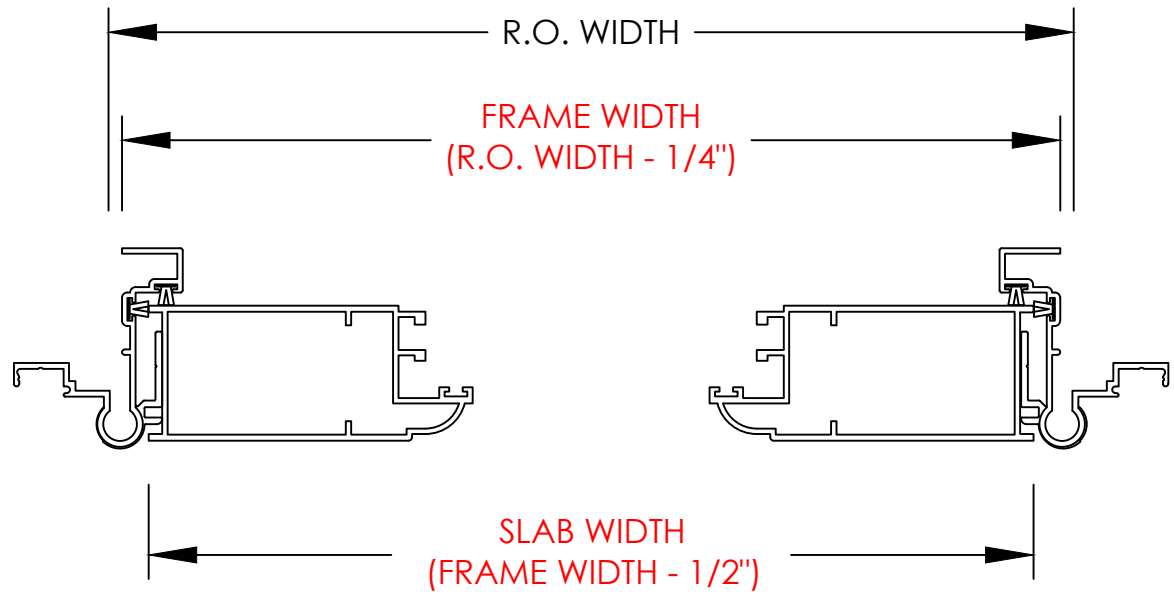
Single Door Sections

ORDERED FRAME SIZE

MINIMUM = 30" W x 72" H

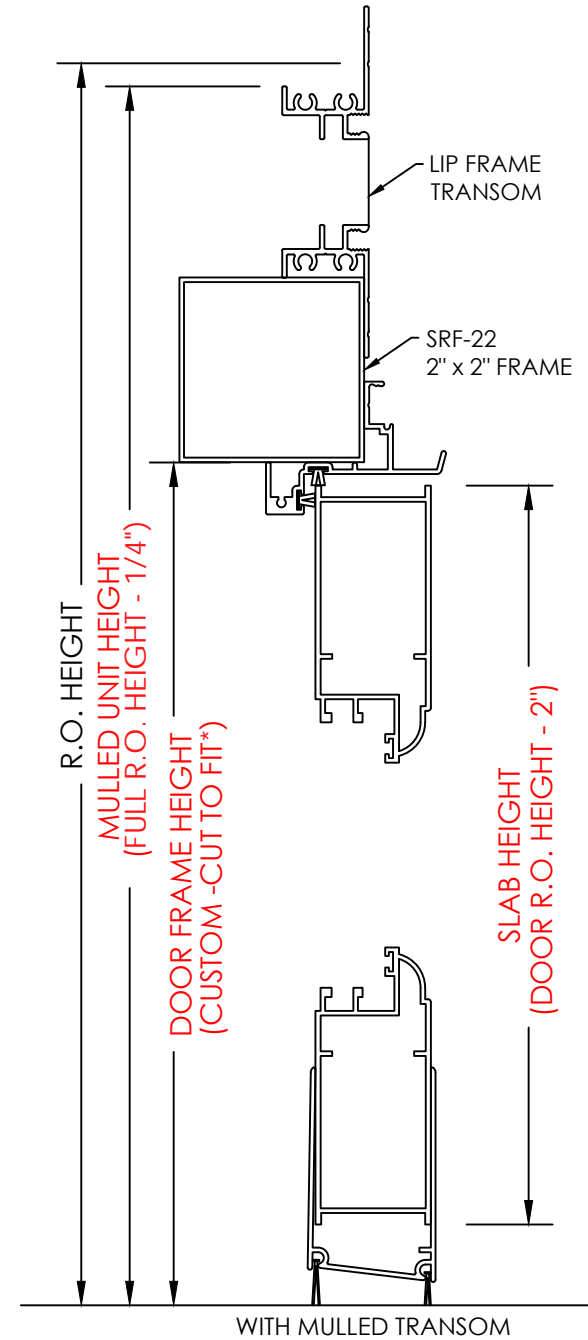
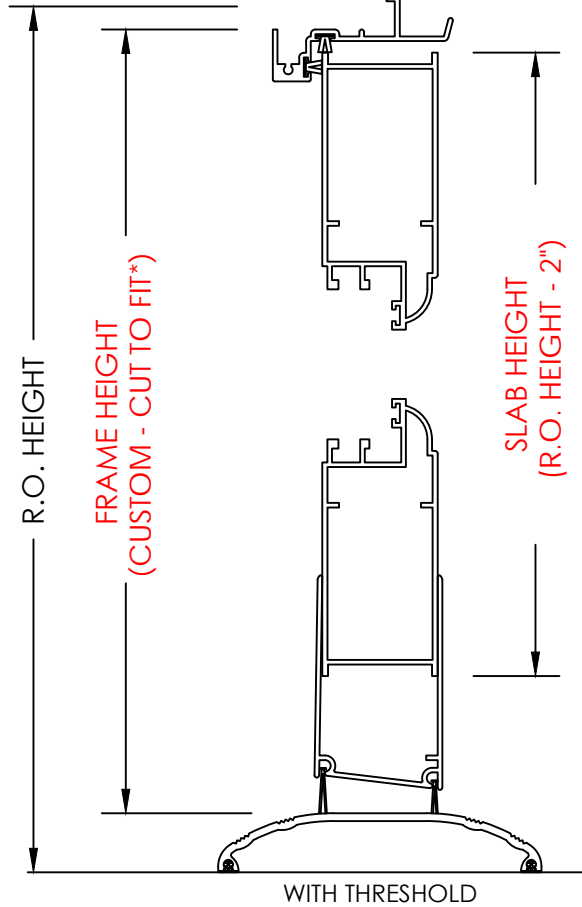
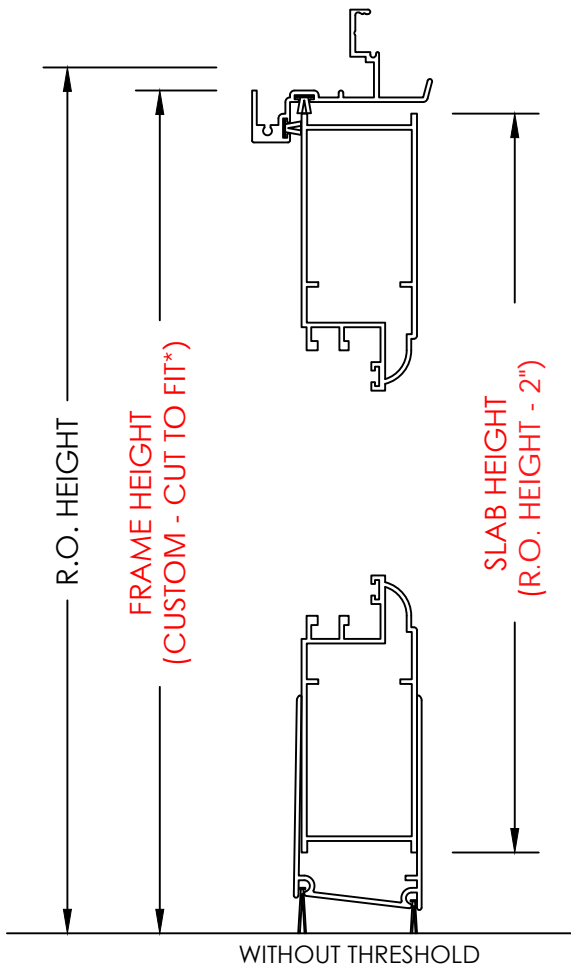
MAXIMUM = 42" W x 96" H

Horizontal



Single Door Sections

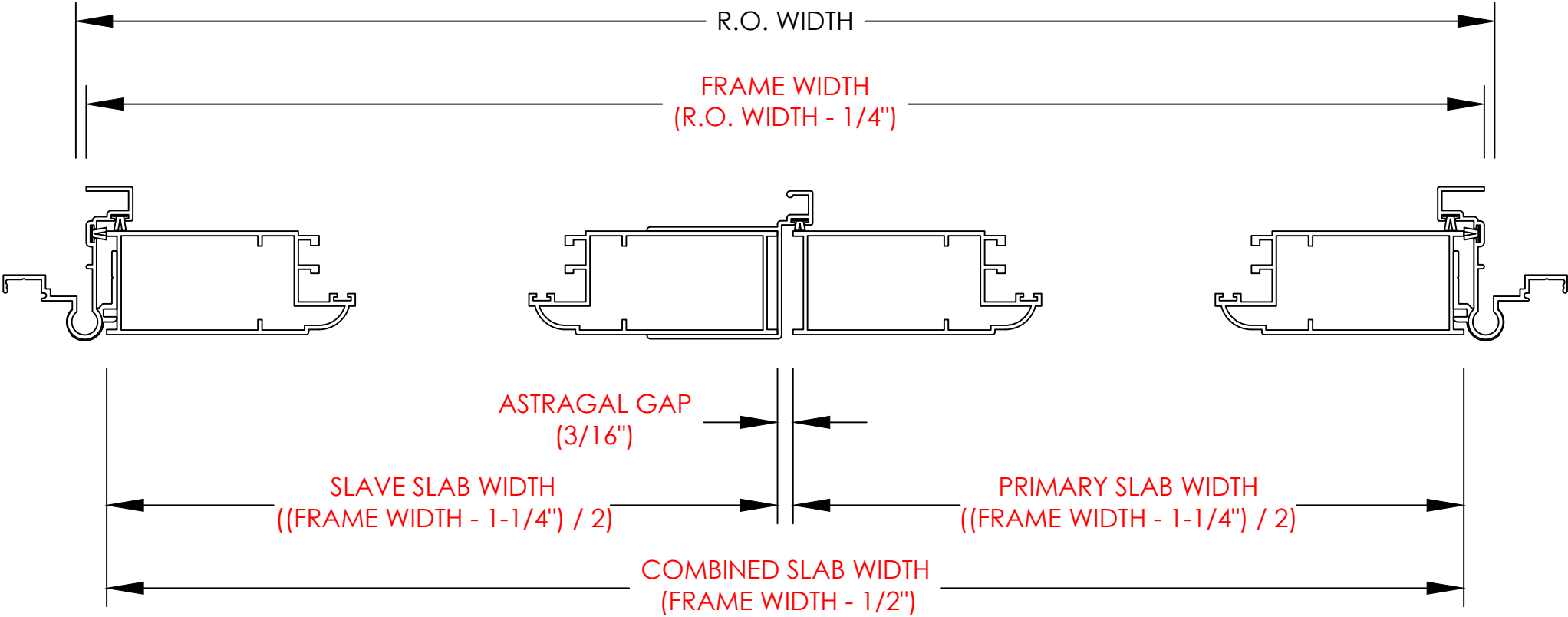
Vertical



French Door Sections

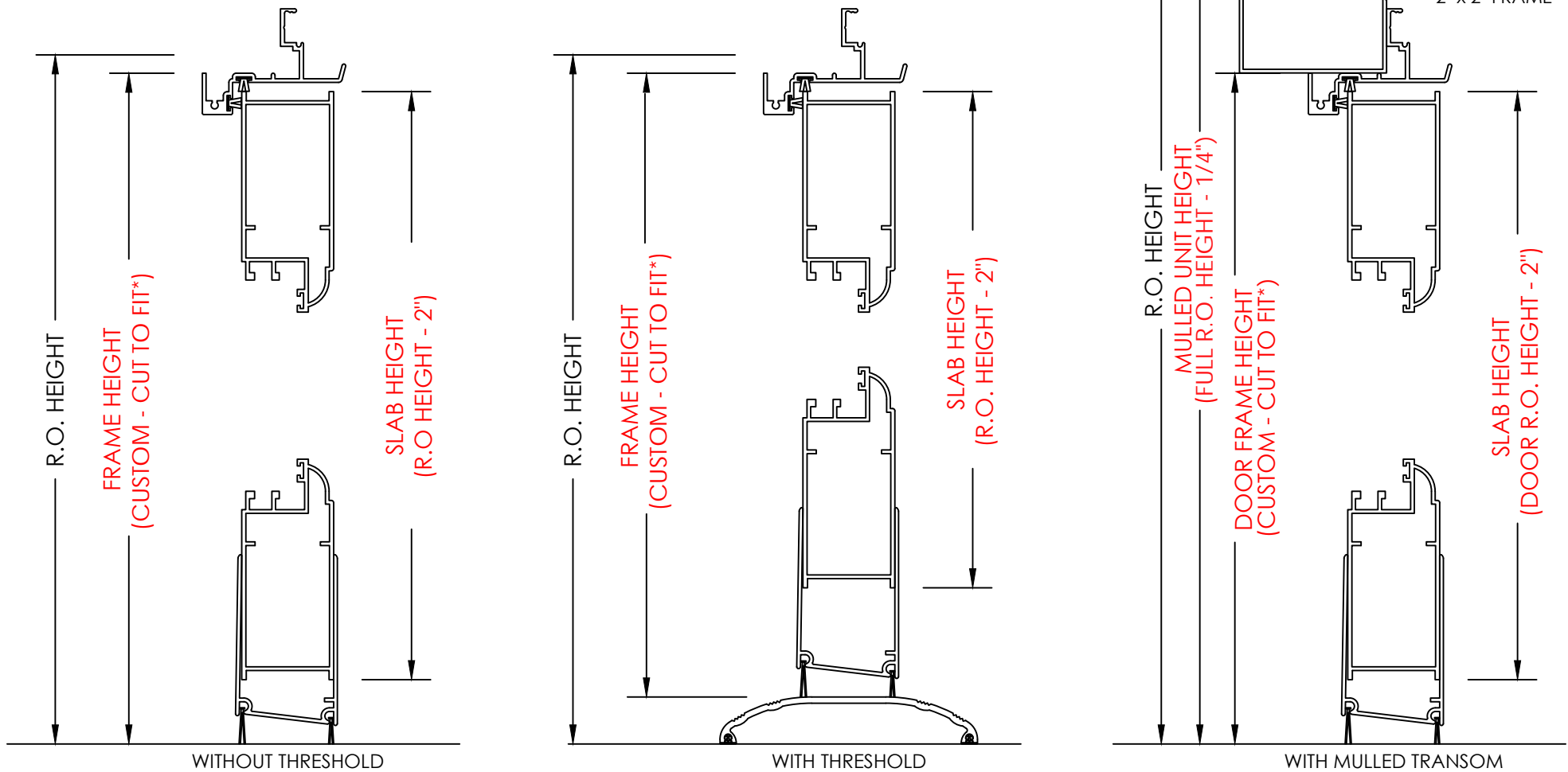
ORDERED FRAME SIZE
MINIMUM = 60" W x 72" H
MAXIMUM = 84" W x 96" H

Horizontal

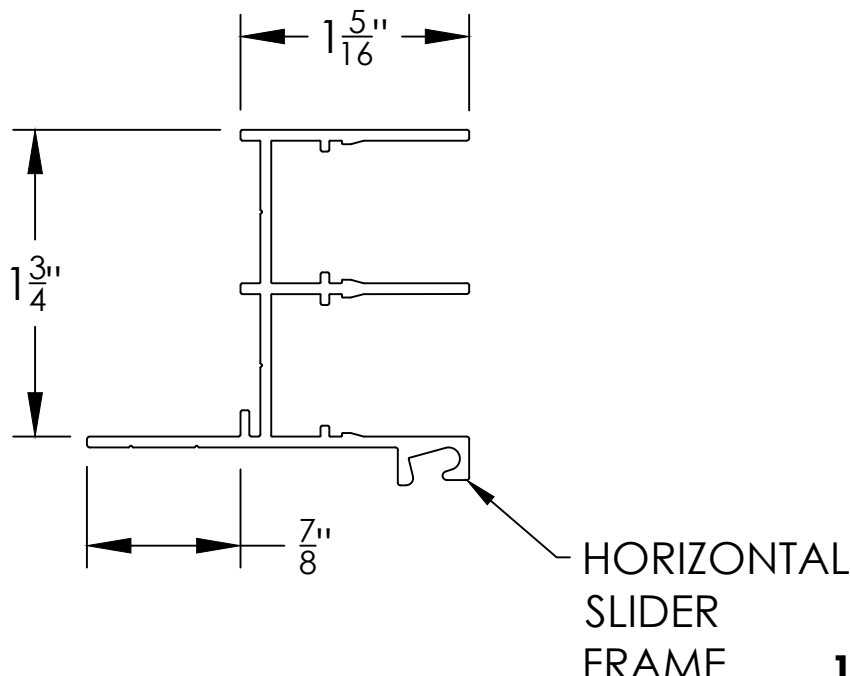
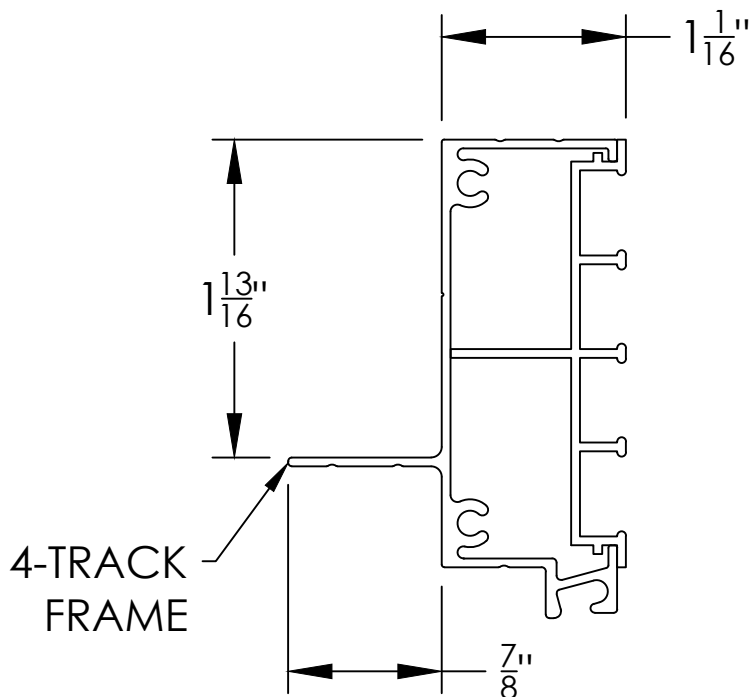
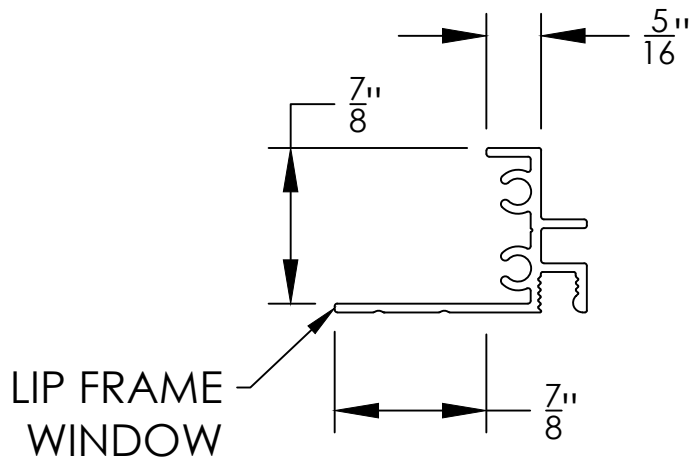
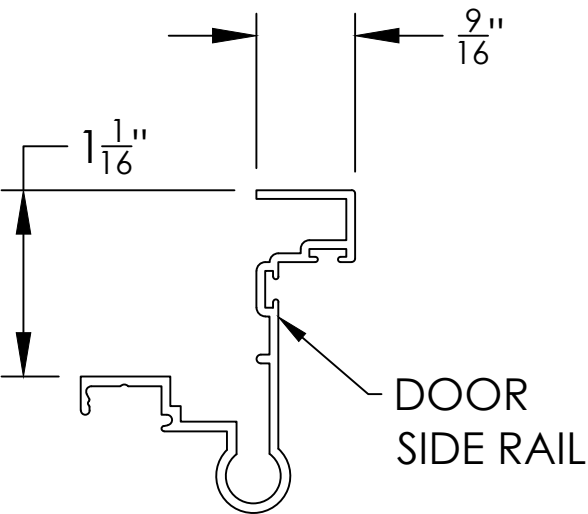
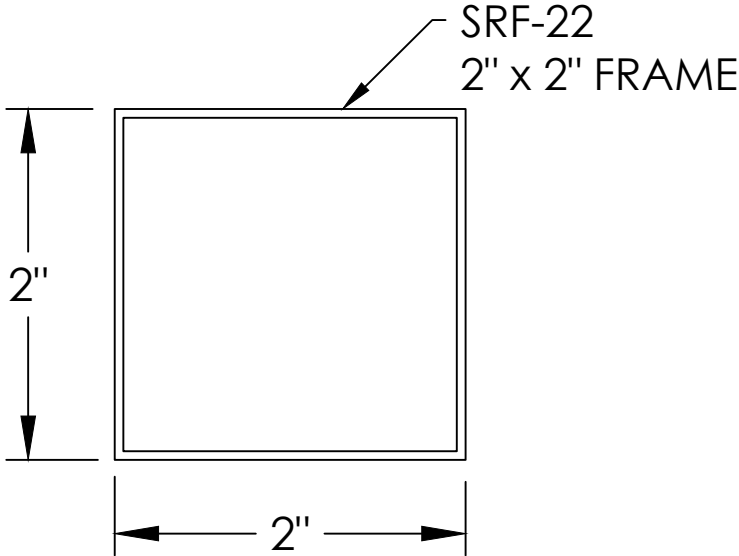
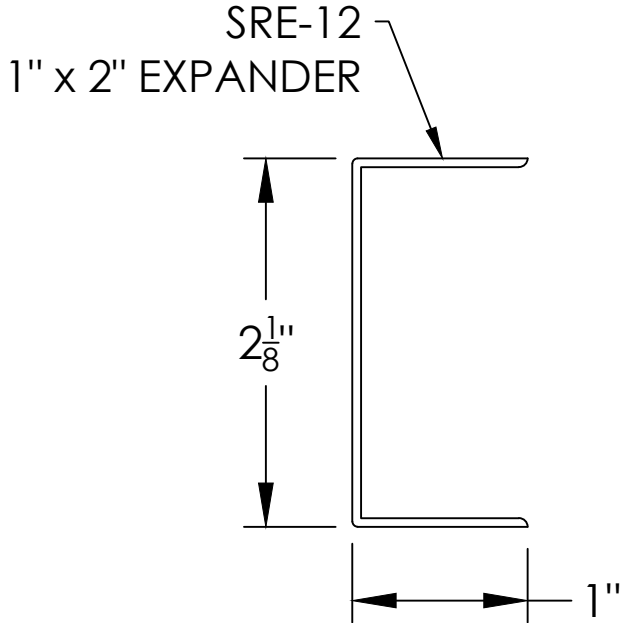


French Door Sections

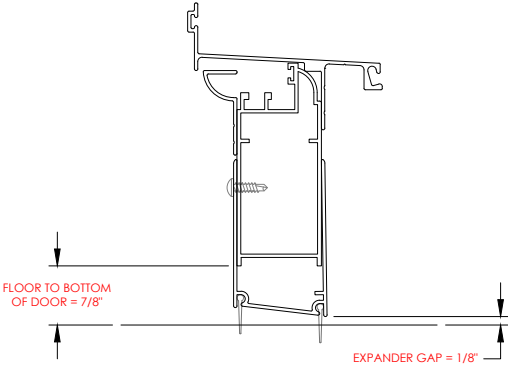
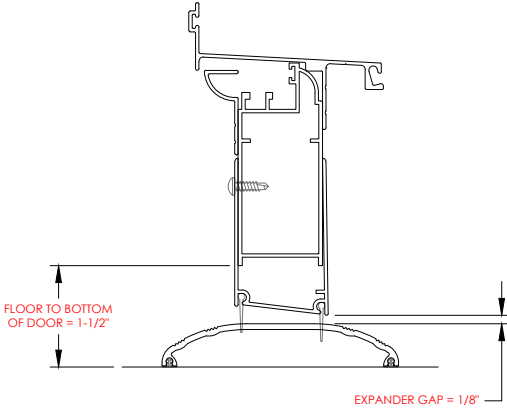
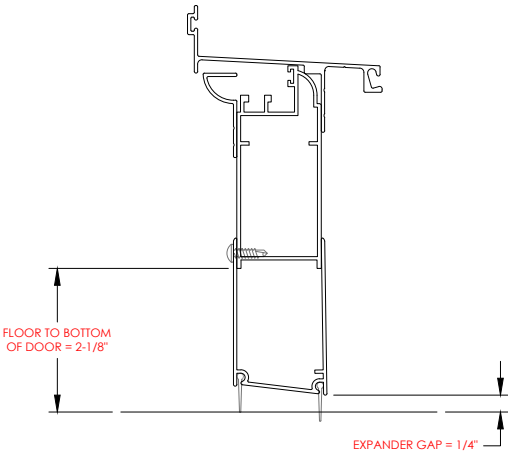
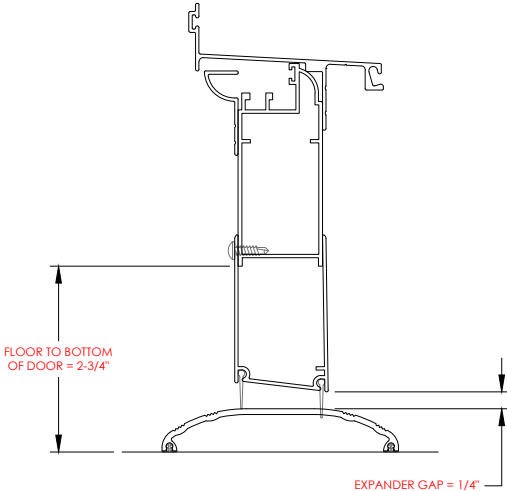
Vertical



Profile Details



Standard 80" Door Rough Opening Height Range

	WITHOUT THRESHOLD	WITH THRESHOLD
MINIMUM R.O.	 <p>FLOOR TO BOTTOM OF DOOR = 7 7/8"</p> <p>EXPANDER GAP = 1/8"</p> <p>79 1/8" HIGH R.O.</p>	 <p>FLOOR TO BOTTOM OF DOOR = 1-1/2"</p> <p>EXPANDER GAP = 1/8"</p> <p>79 3/4" HIGH R.O.</p>
MAXIMUM R.O.	 <p>FLOOR TO BOTTOM OF DOOR = 2-1/8"</p> <p>EXPANDER GAP = 1/4"</p> <p>80 3/8" HIGH R.O.</p>	 <p>FLOOR TO BOTTOM OF DOOR = 2-3/4"</p> <p>EXPANDER GAP = 1/4"</p> <p>81" HIGH R.O.</p>

NOTE: MINIMUM R.O.'S MAY BE REDUCED BY 3/8" BY MODIFYING THE INSTALLATION OF THE EXPANDER CONTACT TECHNICAL DIRECTOR AT 419-866-7705 EXT. 1033 WITH QUESTIONS.



PRC WALL LAYOUTS

